

STEEL FRAMELESS END DUMP



TT05_009-SteelFramelessED
11/12/20

WE BUILD IT, SO YOU CAN HAUL IT.



DESCRIPTION: FRAMELESS END
DUMP

TYPE: DEMOLITION MATERIALS



McCANDLESS
TRUCK CENTER
Your Authorized Dragon, Ranco, and Vantage Trailer Dealer
303-739-9900 | mctrux.com

STEEL FRAMELESS END DUMP

STANDARD FEATURES

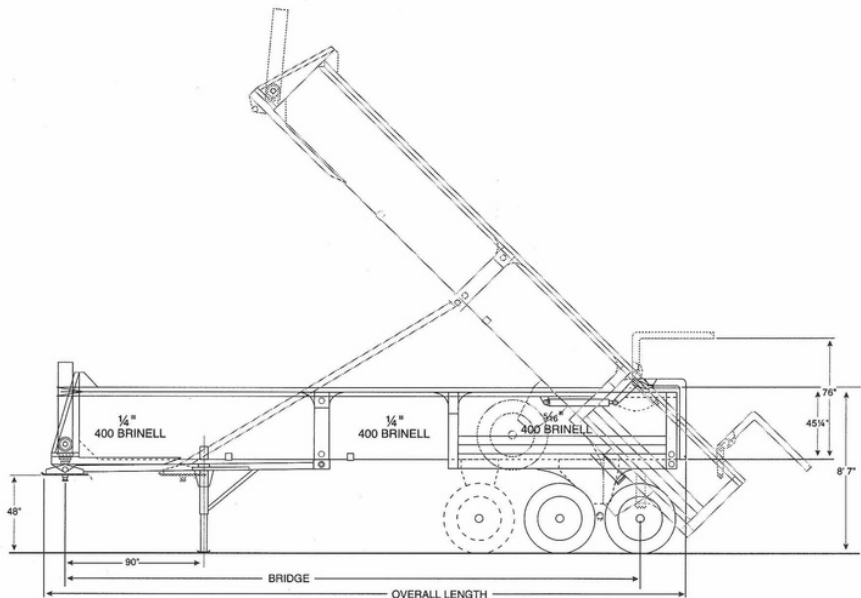
PARKING LEGS: ADJUSTABLE MOUNTED ON DRAFT ARMS
 TRUSS DESIGN DRAFT ARMS, 3" X 4" -- 76" WIDE AT HINGE
 BOLT ON FRONT & REAR FENDERS
 FRONT MOUNTED LADDER
 HIGH LIFT TAILGATE -- 76" CLEARANCE BETWEEN RAISED GATE & BODY
 HUTCH 900 SINGLE POINT SUSPENSION

25,000 LB. 5" TUBULAR AXLE W/ STEMCO SEALS
 16.5" X 7" AIR BRAKES
 ABS BRAKE SYSTEM - 4S2M
 OUTBOARD HUBS W/ LIGHTWEIGHT DRUMS
 8.25 X 24.5 STEEL DISC WHEELS
 11R24.5 TIRES OR 11R22.5
 LED LIGHTS
 SEALED DOCUMENT HOLDER
 1/4" TUB WITH 5/16" LAST 8 FOOT

MODEL NO.	ED 24-30	ED 26-34	ED 30-38
OVERALL LENGTH	30' 2"	34' 3"	38' 2"
BODY LENGTH	28 FT.	32FT.	36FT.
CAPACITY*	24 CU. YD.	26 CU. YD.	30 CU. YD.
BRIDGE	26' 7.5"	30' 7.5"	34' 7.5"
CYLINDER LENGTH	200"	235"	265"
DUMP ANGLE	46*	46*	45*
WEIGHT*	14,500	15,660	16,616

OPTIONS

2 SPEED LANDING GEAR
 5/16 TUB SHEETING
 3/16 TUB SHEETING
 8" SIDE BOARDS
 ALUMINUM WHEELS
 TARP: ELECTRIC AND MANUAL
 16 COLORS AVAILABLE
 WATERTIGHT GATE SEAL
 BARN DOOR



RANCO

A **DRAGON** FAMILY BRAND

McCANDLESS TRUCK CENTER

Your Authorized Dragon, Ranco, and Vantage Trailer Dealer

303-739-9900 | mctrux.com